

- 1
- 2
- 3
- 4
- 5
- 6
- 7
- 8
- 9
- 10
- 11
- 12
- 13
- 14
- 15
- 16
- 17
- 18

MATERIAL

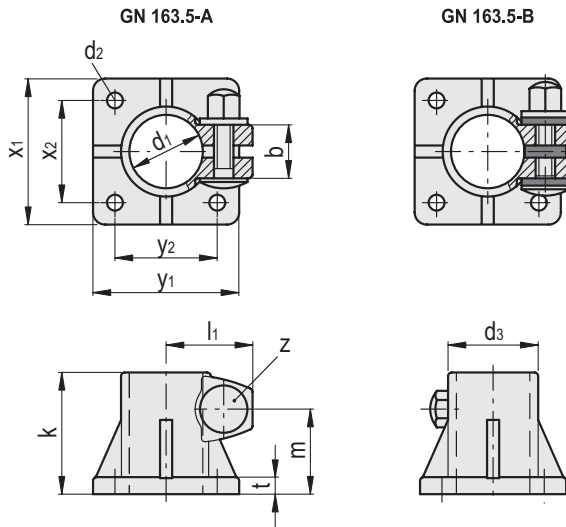
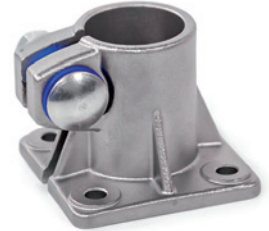
Cast AISI CF-8 stainless steel, sandblasted matte finish.
 AISI 304 stainless steel screw and washer.
 AISI 304 zinc-plated stainless steel nut.

STANDARD EXECUTIONS

- **GN 163.5-A:** base with 4 assembly holes, without sealing washers.
- **GN 163.5-B:** base with 4 assembly holes, with acetal resin based (POM) technopolymer sealing washers and silicone closing ring.

FEATURES AND APPLICATIONS

GN 163.5 connecting clamps are shaped so as to provide an optimum clamping with tubes GN 990 (see page 1368).
 The particular shape of the screws and nuts prevents the formation of condensation.
 In GN 163.5-B execution, the presence of technopolymer sealing washers and silicone ring allows the sealing of the hole and thread making them waterproof.
 The "z" grub screw may be replaced by the kit GN 911.3 (see page -).



Conversion Table	
1 mm = 0.039 inch	
d1	
mm	inch
30	1.17
50	1.95

GN 163.5-A

Code	Description	b	d1	d2	d3	k	l1	m	t	x1	x2	y1	y2	z	Z Clamping kit	△
GN.48901	GN 163.5-B30-A-4	22	30	6.5	37	50	36	35	6.5	60	42	60	42	M 8	GN 911.3-63 / GN 911.3-78	265
GN.48905	GN 163.5-B50-A-4	30	50	10.7	60	85	48.5	60	9	105	74	105	74	M 10	GN 911.3-78 / GN 911.3-92	305

GN 163.5-B

Code	Description	b	d1	d2	d3	k	l1	m	t	x1	x2	y1	y2	z	Z Clamping kit	△
GN.48902	GN 163.5-B30-B-4	22	30	6.5	37	50	36	35	6.5	60	42	60	42	M 8	GN 911.3-63 / GN 911.3-78	265
GN.48906	GN 163.5-B50-B-4	30	50	10.7	60	85	48.5	60	9	105	74	105	74	M 10	GN 911.3-78 / GN 911.3-92	305

Tube connectors